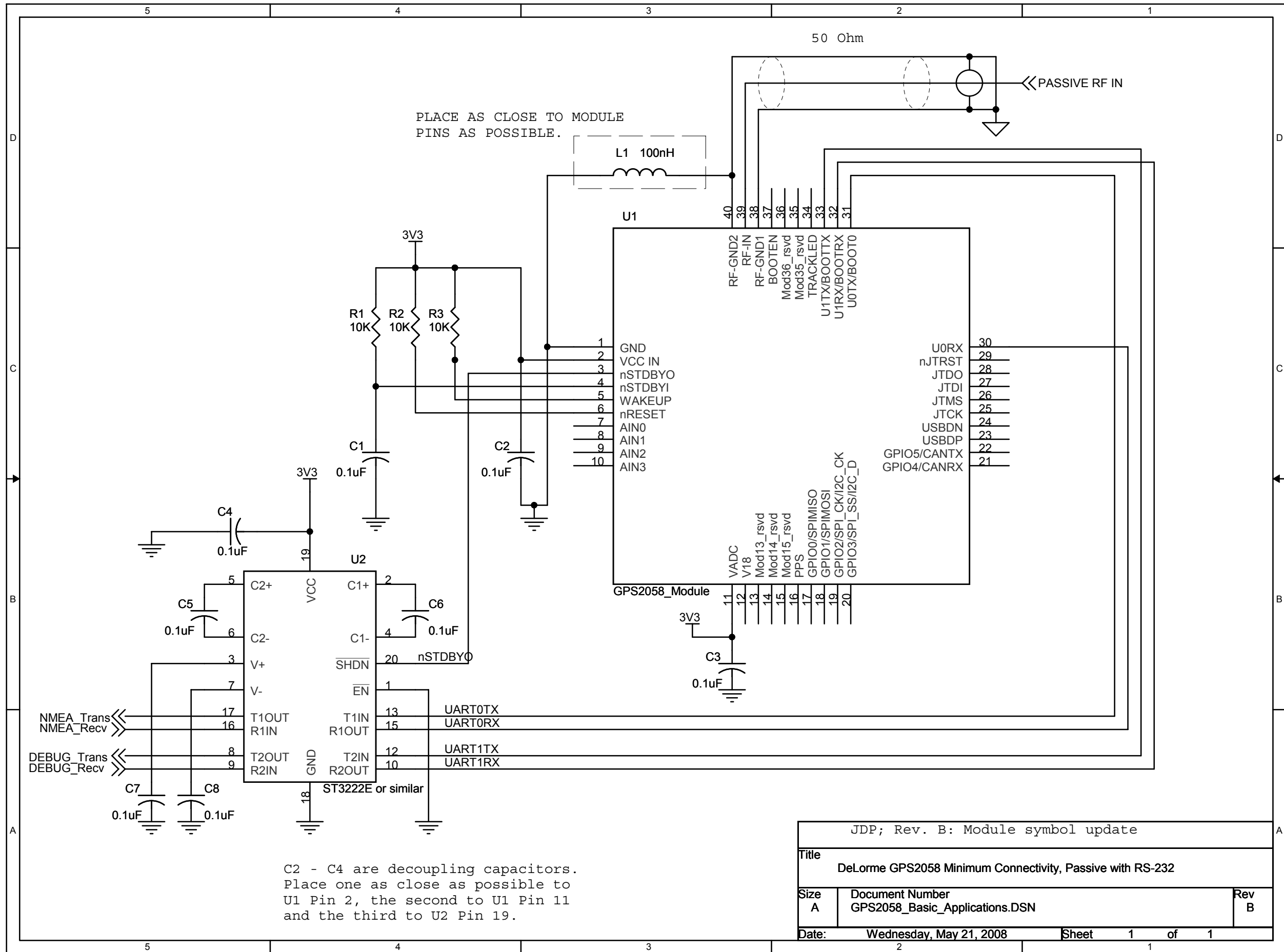
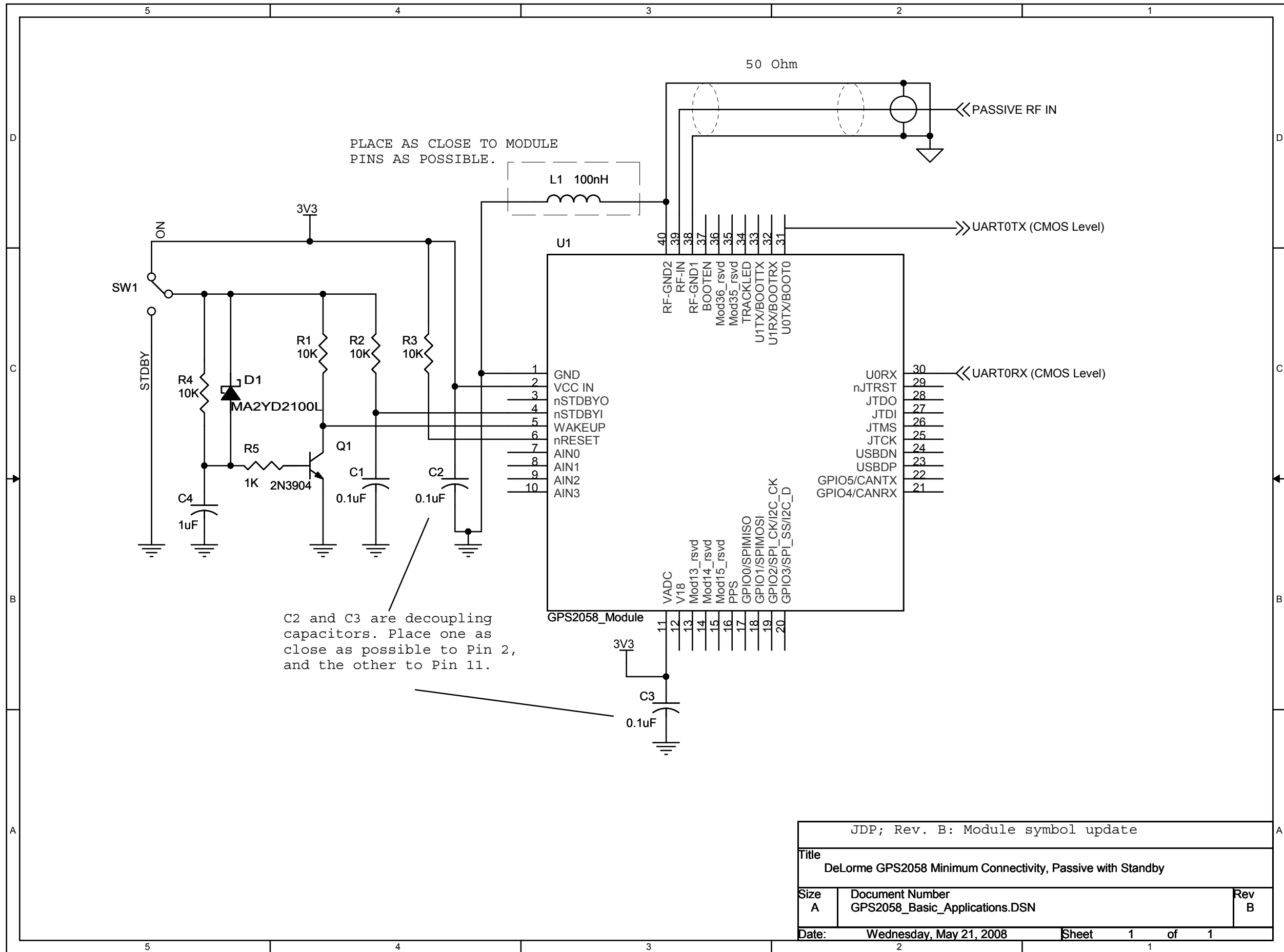


JDP; Rev. B: Module symbol update		
Title DeLorme GPS2058 Minimum Connectivity, Passive		
Size A	Document Number GPS2058_Basic_Applications.DSN	Rev B
Date:	Wednesday, May 21, 2008	Sheet 1 of 1



JDP; Rev. B: Module symbol update		
Title DeLorme GPS2058 Minimum Connectivity, Passive with RS-232		
Size A	Document Number GPS2058_Basic_Applications.DSN	Rev B
Date:	Wednesday, May 21, 2008	Sheet 1 of 1



JDP; Rev. B: Module symbol update		
Title DeLorme GPS2058 Minimum Connectivity, Passive with Standby		
Size A	Document Number GPS2058_Basic_Applications.DSN	Rev B
Date:	Wednesday, May 21, 2008	Sheet 1 of 1